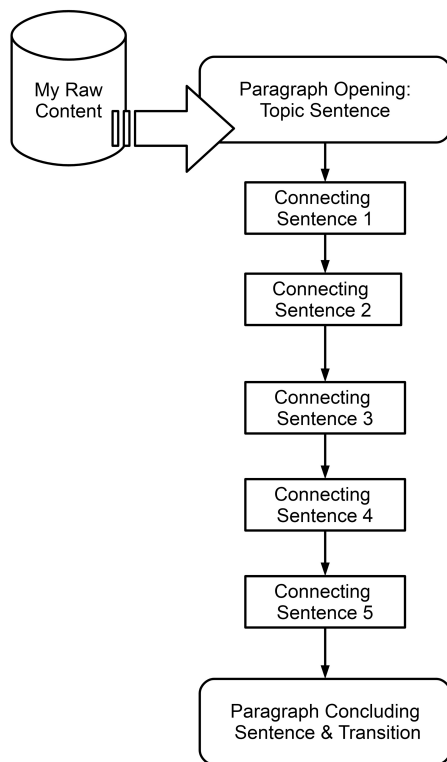


Paragraph Development: Start with Main Point



Document Planning:

Main point sentence:

Supporting sentences content:

Concluding sentence with transition to next paragraph:

Other notes: